



CHEVROLET

# CHEVROLET BODY GROUP 13.000

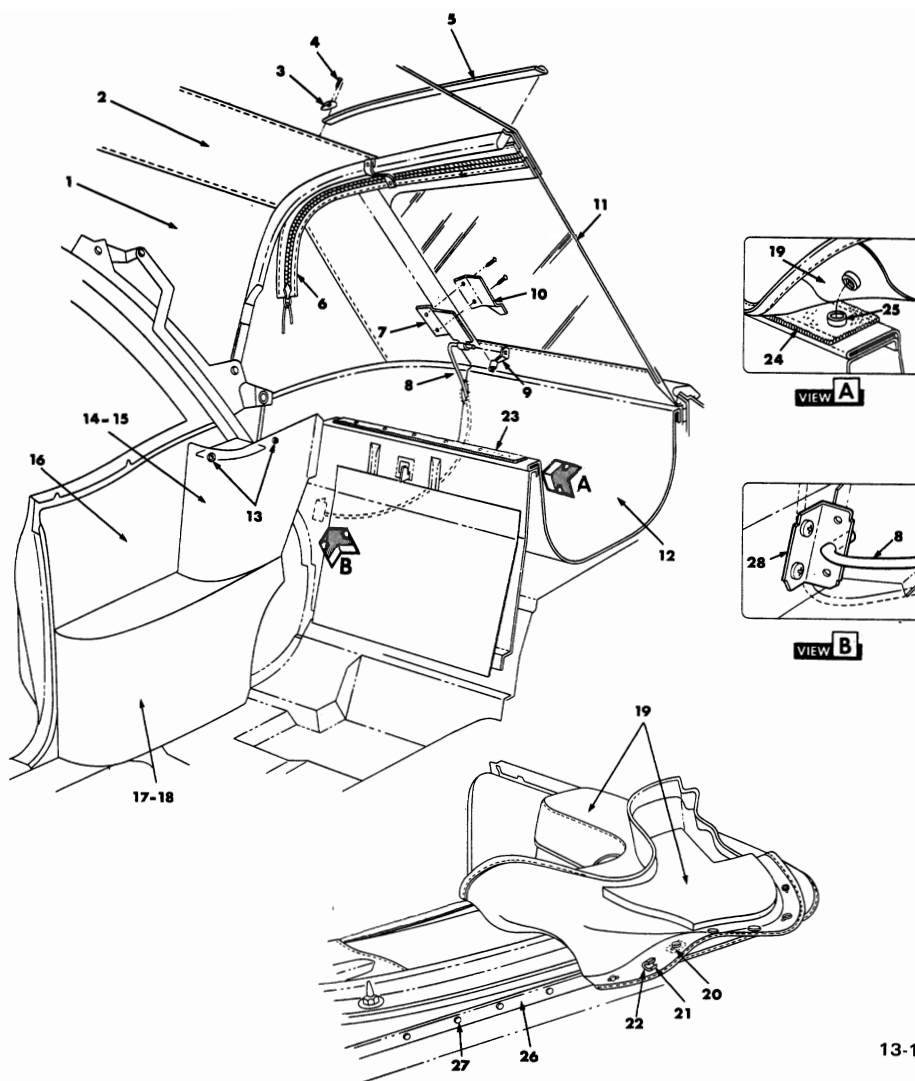


CHEVROLET

## ILLUSTRATION INDEX

TITLE	PAGE	TITLE	PAGE
1966-72 Convertible Folding Top Compartment and Trim Parts .....	13-1	1971-73 Vega (Sta. Wag.) Harness Assemblies .....	13-4
1971-73 Vega (Spt. Cpe.) Harness Assemblies .....	13-2	1971-73 Vega (Panel) Harness Assemblies .....	13-5
1971-73 Vega (Sedan) Harness Assemblies .....	13-3		

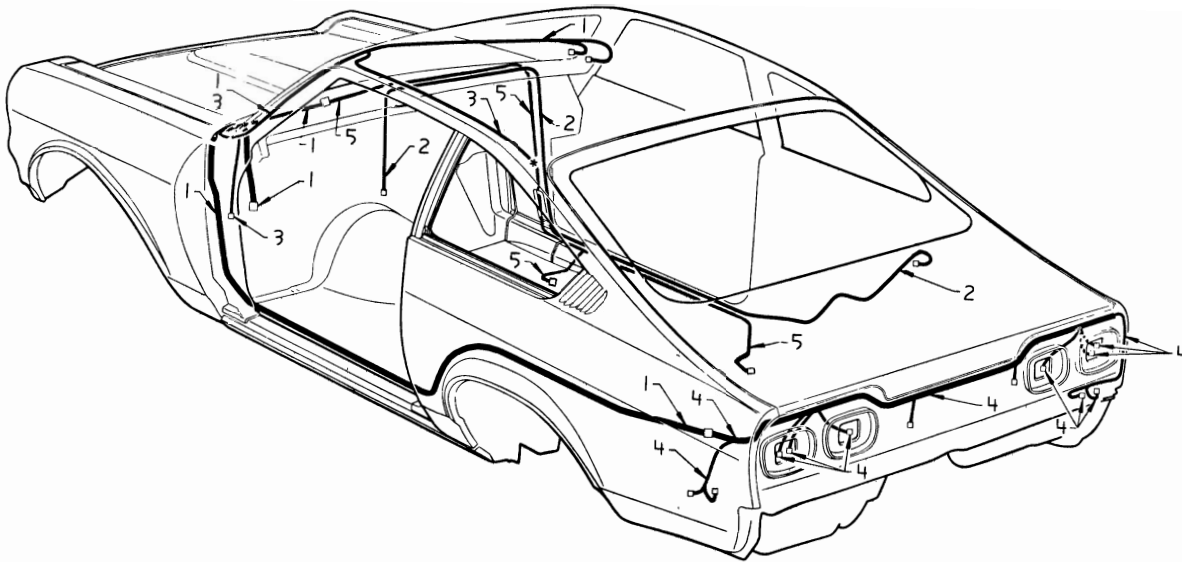




13-1

## 1966-72 CONVERTIBLE FOLDING TOP COMPARTMENT AND TRIM PARTS

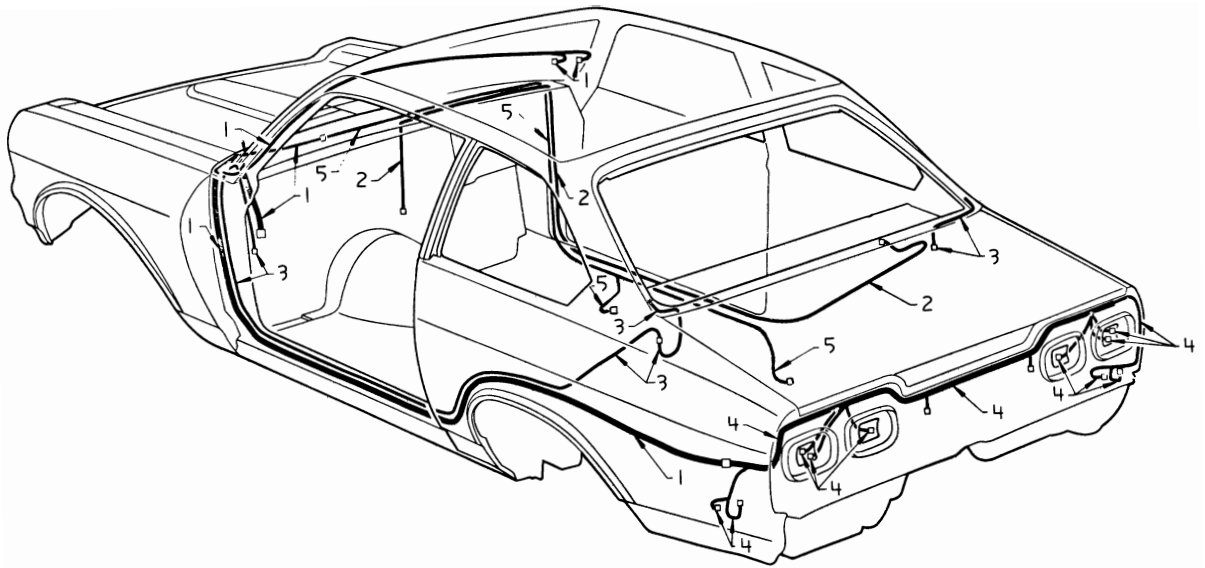
- |     |        |  |     |        |  |
|-----|--------|--|-----|--------|--|
| 1.  | 13.347 | TRIM ASSY., Folding Top                                | 15. | 15.100 | TRIM ASSY., Fldg. Top Compt. Side Trim Upper     |
| 2.  | 13.349 | TRIM ASSY., Folding Top Side Pad                       | 16. | 15.100 | TRIM ASSY., Rear Quarter                         |
| 3.  | 13.342 | CLIP, Folding Top Rear Bow Binding End                 | 17. | 15.100 | PANEL ASSY., Rear Quarter Arm Rest               |
| 4.  | N.L.   | SCREW, Fldg. Top Rear Bow Binding Clip                 | 18. | 15.100 | TRIM ASSY., Rear Quarter Arm Rest                |
| 5.  | 15.534 | BINDING, Folding Top Rear Wire                         | 19. | 13.450 | BOOT, Folding Top Dust                           |
| 6.  | 13.392 | ZIPPER, Back Curtain                                   | 20. | 13.384 | FASTENER, Fldg. Top Dust Boot                    |
| 7.  | 13.395 | RETAINER, Back Wind Glass Rod on Glass                 | 21. | 13.384 | RETAINER, Fldg. Top Dust Boot                    |
| 8.  | 13.395 | ROD, Back Window Glass Support                         | 22. | 13.384 | RETAINER, Fldg. Top Dust Boot Clip               |
| 9.  | 13.395 | CLIP, Back Window Glass Support Rod                    | 23. | 13.384 | RETAINER, Fldg. Top Dust Boot Pile               |
| 10. | 13.395 | PLATE, Back Wind Glass Rod Ret. on Glass               | 24. | 13.384 | RETAINER, Fldg. Top Dust Boot Pile               |
| 11. | 13.389 | CURTAIN, Folding Top Back with Glass                   | 25. | 13.384 | RETAINER ASSY., Dust Boot Pile Ret.              |
| 12. | N.L.   | BAG ASSY., Folding Top Compartment                     | 26. | 12.116 | MOLDING ASSY., Quarter Pinch Weld Fnsgh. at Belt |
| 13. | 13.384 | FASTENER, Fldg. Top Compt. Side Trim Panel (Dust Boot) | 27. | 13.384 | FASTENER, Dust Boot at Belt Molding              |
| 14. | 12.989 | PANEL, Fldg. Top Compt. Side Trim Upper                | 28. | 13.395 | RETAINER, Back Wind Glass Rod on Seat Back       |



13-2

### 1971-73 VEGA (SPT. CPE.) HARNESS ASSEMBLIES

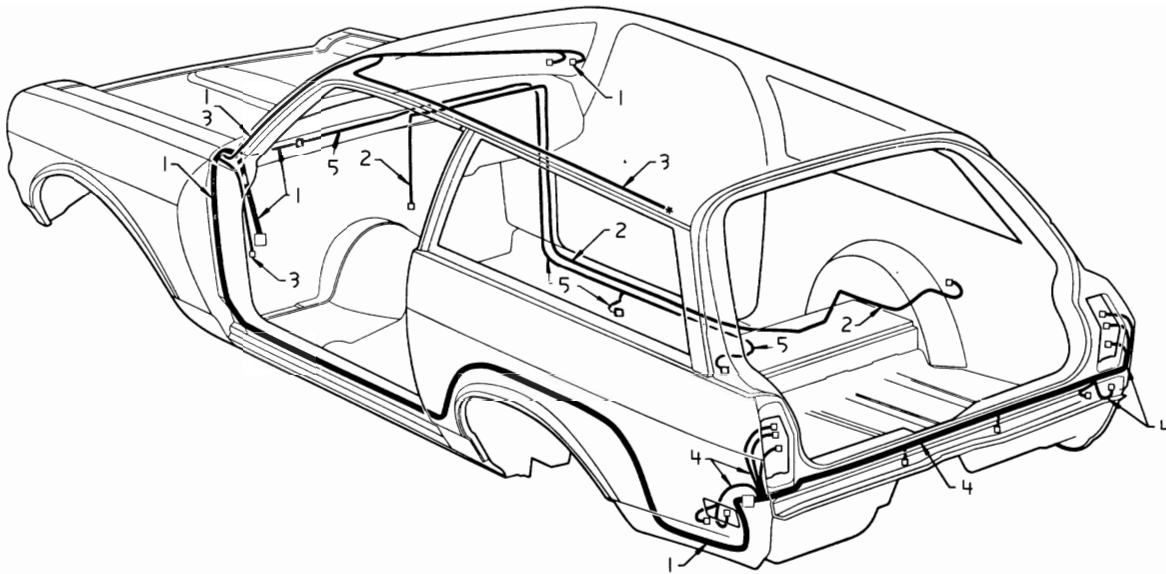
- 1. 13.090 HARNESS ASSY.
- 2. 9.656 HARNESS
- 3. 9.778 HARNESS ASSY. htd. back  
window glass wiring
- 9.778 HARNESS ASSY. htd. back  
window glass ground
- 4. 13.090 HARNESS ASSY. body rear
- 5. 13.090 HARNESS ASSY. seat belt  
warning ctr. and rear, sensor  
warning switch



13-3

### 1971-73 VEGA (SEDAN) HARNESS ASSEMBLIES

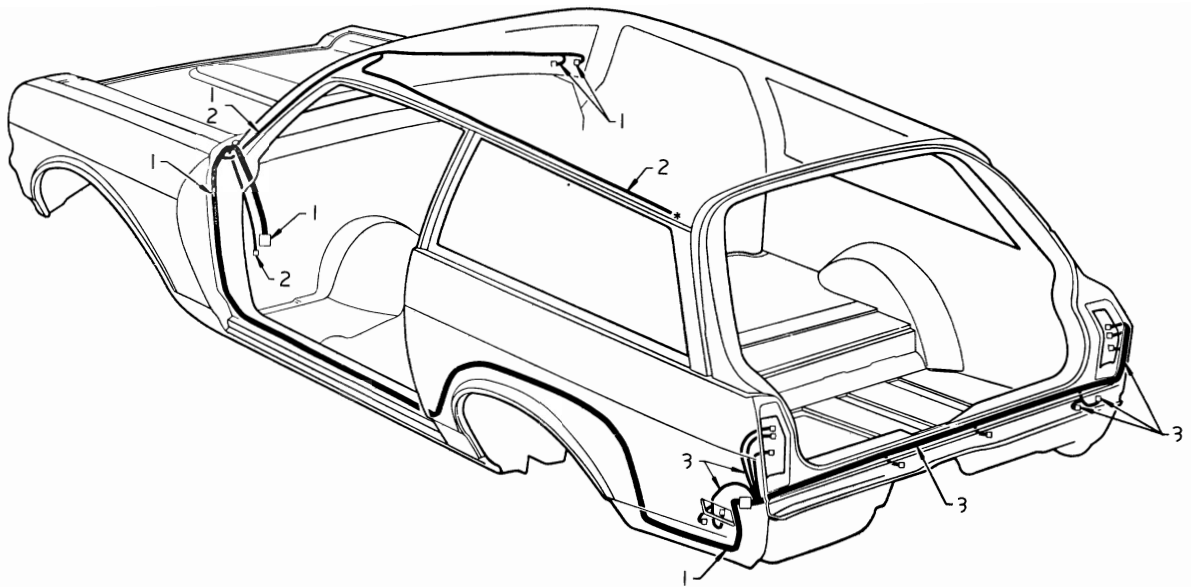
- 1. 13.090 HARNESS ASSY. (1st design)  
body frt.
- 13.090 HARNESS ASSY.  
body frt.
- 2. 9.656 HARNESS
- 3. 9.778 HARNESS ASSY. htd. back  
window glass wiring
- 4. 13.090 HARNESS ASSY. body rear
- 5. 13.090 HARNESS ASSY. seat belt  
warning ctr. and rear sensor  
wiring switch



13-4

### 1971-73 VEGA (STA. WAG.) HARNESS ASSEMBLIES

1. 13.090 HARNESS ASSY.  
body frt.
2. 9.656 HARNESS
3. 9.778 HARNESS ASSY. htd. back  
window glass wiring
4. 13.090 HARNESS ASSY. body rear
5. 13.090 HARNESS ASSY. seat belt  
warning ctr. and rear, sensor  
warning switch



13-5

### 1971-73 VEGA (PANEL) HARNESS ASSEMBLIES

1. 13.090 HARNESS ASSY.
2. 9.778 HARNESS ASSY. htd. back  
window glass wiring
3. 13.090 HARNESS ASSY. body rear

