



CHEVROLET

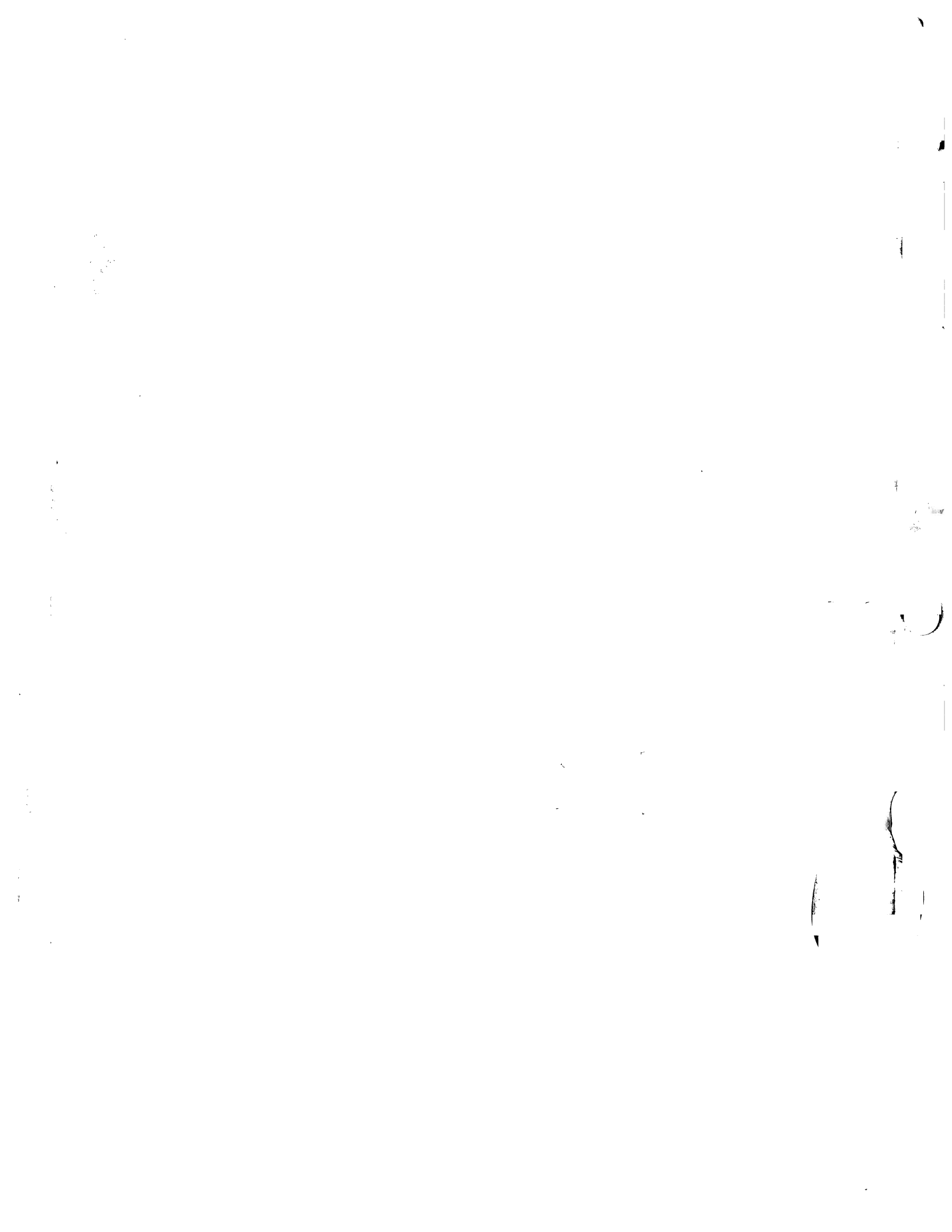
CHEVROLET BODY GROUP 15.000

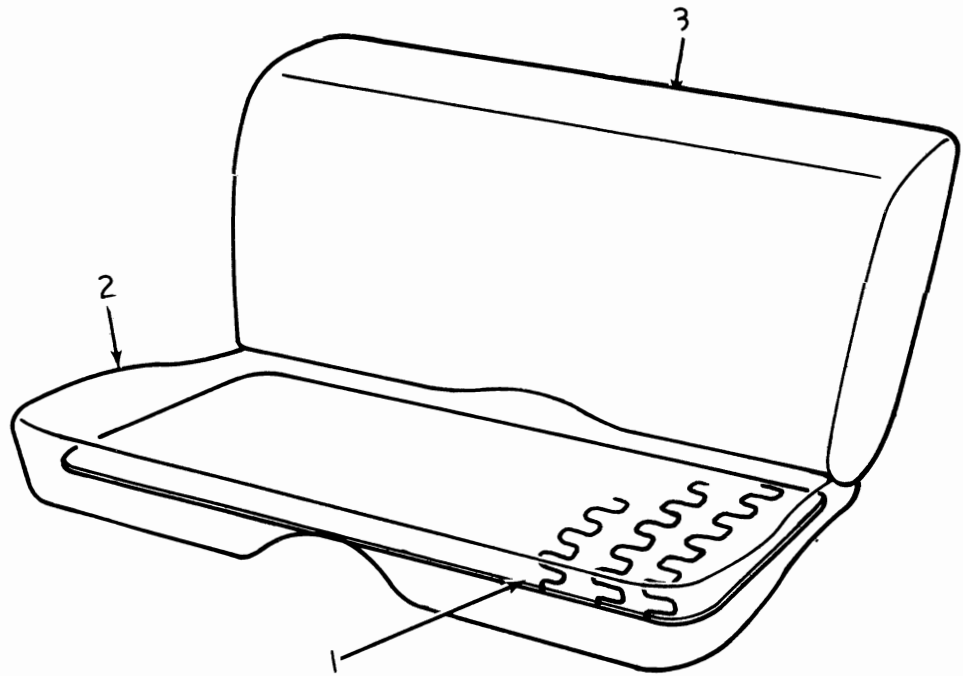


CHEVROLET

ILLUSTRATION INDEX

TITLE	PAGE	TITLE	PAGE
1971-73 Vega Rear Seat	15-1	1975 Nova Rear Comp. Interior Trim	15-2
1971-73 Vega Dash Mat and Front Door Sill	15-1	1973-75 Vega Hatchback Rear Compartment Trim & Hardware	15-3

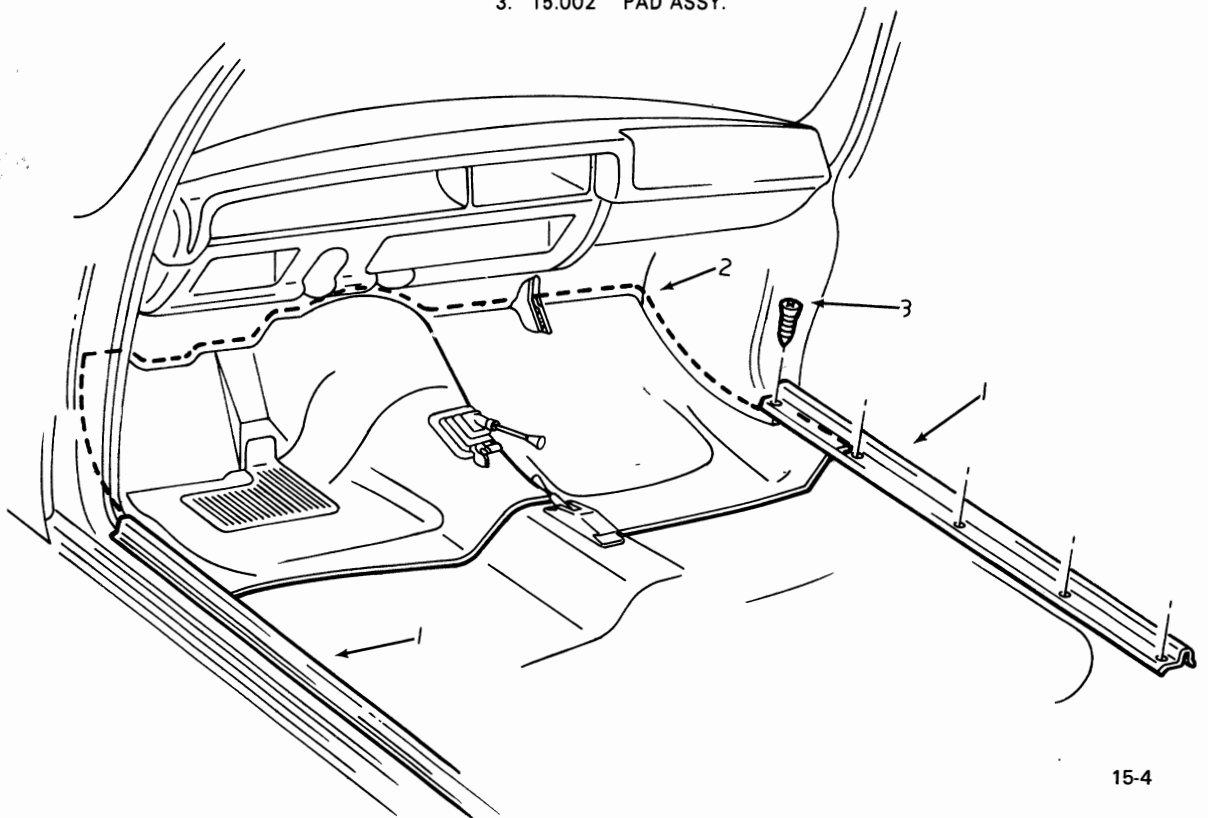




15-3

1971-73 VEGA REAR SEAT

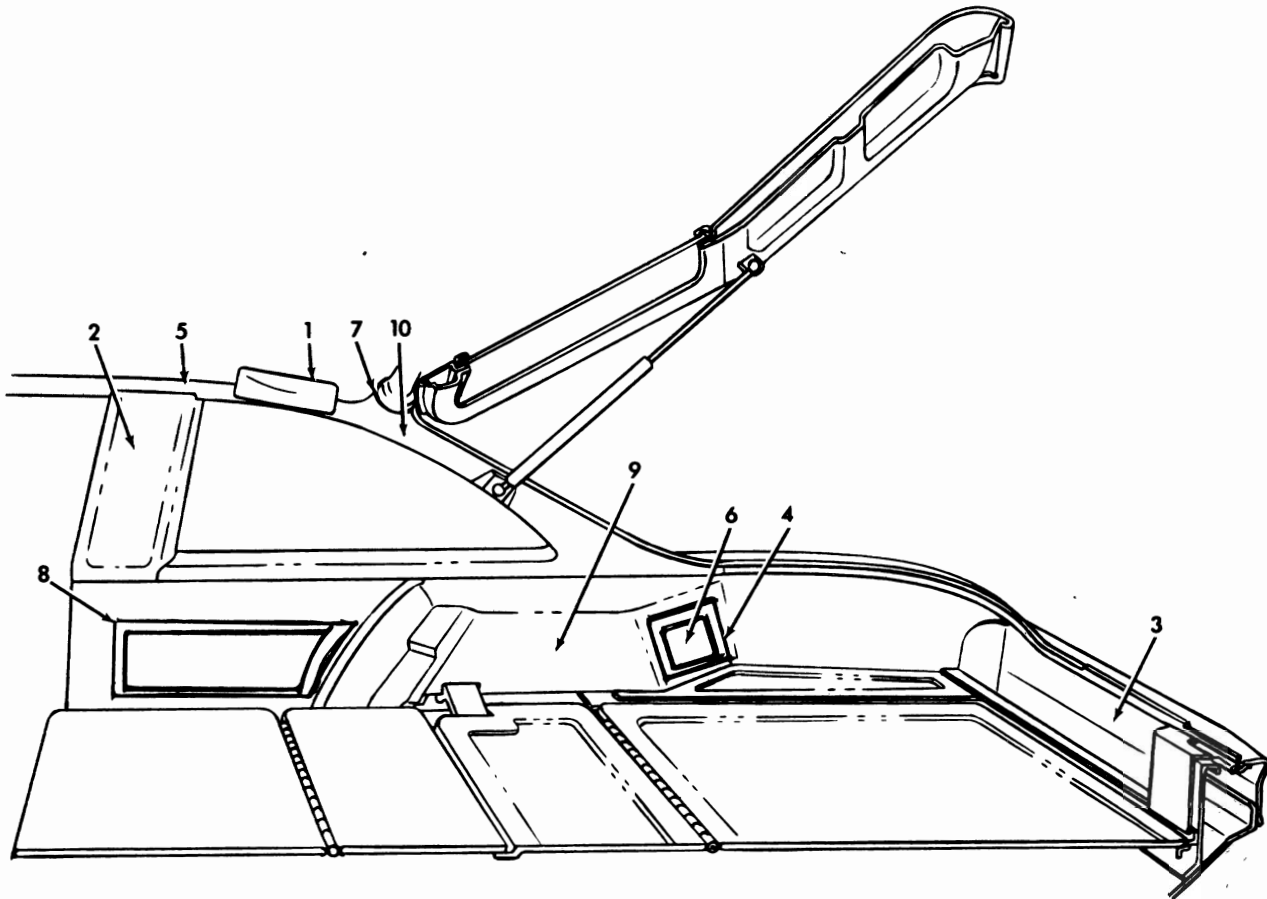
- 1. 11.610 FRAME ASSY.
- 2. 15.036 PAD ASSY.
- 3. 15.002 PAD ASSY.



15-4

1971-73 VEGA DASH MAT AND FRONT DOOR SILL

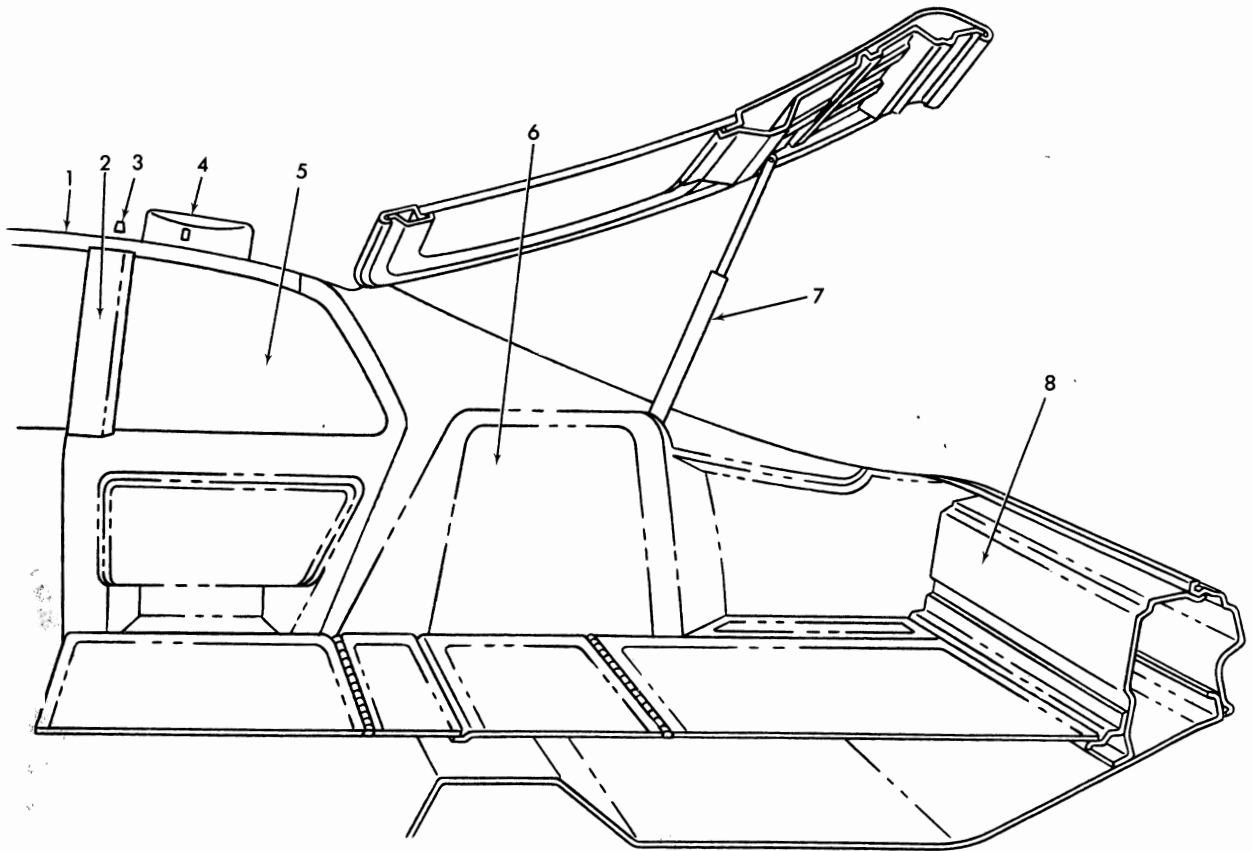
- 1. 11.175 PLATE
- 2. 15.280 INSULATION
- 3. 8.977 SCREW (8-18 x 3/4")



15-6

1975 NOVA REAR COMP. INTERIOR TRIM

- | | | | |
|-----------|-----------------------------------|------------|-------------------------------|
| 1. 14.875 | CVR. ASM., retractor s/strap | 7. 11.120 | MLDG., garnish upr. b/w |
| 2. 11.119 | PANEL, trim fin. qtr. wdo. frt. | 8. 12.941 | PANEL, trim fin. qtr. lwr. |
| 3. 12.975 | PANEL, finish trim comp. | 9. 15.100 | PANEL, trim fin. comp. side |
| 4. 11.928 | LENS, rr. comp. ctsy. lamp | 10. 12.975 | PANEL, fin. qtr. wdo. rr |
| 5. 14.651 | MOLDING, roof intr. side | 11. 12.187 | SUPPORT ASM., counter balance |
| 6. 11.927 | REFLECTOR, lp. rr. comp. courtesy | | |



15-5

1973-75 VEGA HATCHBACK REAR COMPARTMENT TRIM & HARDWARE

- | | | | |
|-----------|------------------------------------|-----------|------------------------------|
| 1. 14.651 | MOLDING ROOF INNER SIDE | 5. 12.941 | PANEL—Trim Fin. Qtr. |
| 2. 11.115 | MOLDING—Qtr. Wdo. Garn. Frt. | 6. 15.100 | PANEL—Tr. Fin. Compt. Side |
| 3. 15.388 | HOOK COAT | 7. 12.187 | SUPT. ASM.—Compt. Lid C/Bat. |
| 4. 14.875 | CVR. ASM.—Retractor Shoulder Strap | 8. 12.975 | PANEL—Tr. Fin. Compt. R/End |

